

Part number

# MGP 24.40



## Brief description:

surface mounting housing, screw locking, size "104.27", M40, high protection IP68 version, IP68

### Product description

<b>Version</b>	high protection IP68 version
<b>Series</b>	surface mounting housing, screw locking
<b>Product type</b>	for 2 screws
<b>Family</b>	IP68 enclosures
<b>Size</b>	size "104.27"

### Technical data

<b>Material</b>	metal
<b>IP degree of protection</b>	IP68 (and IP69K DIN 40050 - 9)
<b>Cable entry</b>	M40

### Further technical details

<b>Weight</b>	1.150,00 g
---------------	------------

### Approvals / Standards

<b>Quality mark</b>	 (type:4/4X/12),  , EAC
<b>Conformity</b>	CQC, CE

### General ordering information

<b>EAN13 code</b>	8015747125130
<b>Tariff number</b>	85369095

### Packaging Information

<b>Packaging length</b>	140,00 mm
<b>Packaging height</b>	130,00 mm
<b>Packaging width</b>	225,00 mm
<b>Packaging weight</b>	2,30 kg
<b>Packaging volume</b>	4,10 dm <sup>3</sup>
<b>Packaging description</b>	Carton box
<b>Packaging quantity</b>	2 Pcs
<b>Packaging EAN code</b>	8015747125147
<b>Sub-packaging weight</b>	1,15 kg
<b>Sub-packaging description</b>	Plastic packaging
<b>Sub-packaging quantity</b>	1 Pcs
<b>Sub-packaging EAN barcode</b>	8015747125154

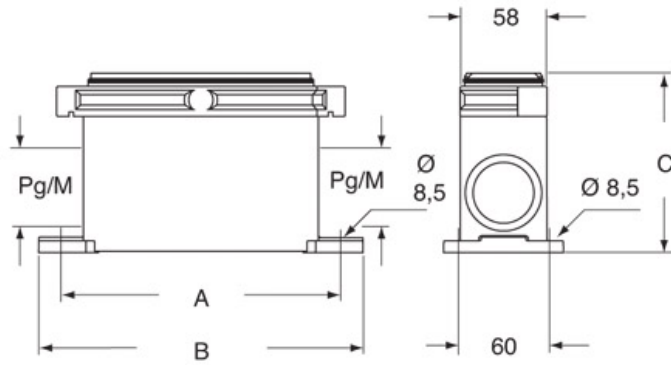
Part number

# MGP 24.40



Catalogue drawings

## CGP - MGP



	A	B	C
CGP 06 - MGP 06	127	156	110
CGP 10 - MGP 10	140	169	110
CGP 16 - MGP 16	160	189	121
CGP 24 - MGP 24	187	216	121